

Specifications

備注 (Remark)

1. 材料 (Material)

膠芯: PA9T/LCP+30%G.F UL94V-0, 顏色: 黑色

Housing: PA9T/LCP+30%G.F UL94V-0, Color: Black

端子: 黃銅

Contact: Brass

2. 特性 (characteristics):

額定電流: 1.0AMP

Rating Current: 1.0AMP

接觸阻抗: 20mΩ Max

Contact Resistance: 20mΩ Max

絕緣阻抗: 1000MΩ Min

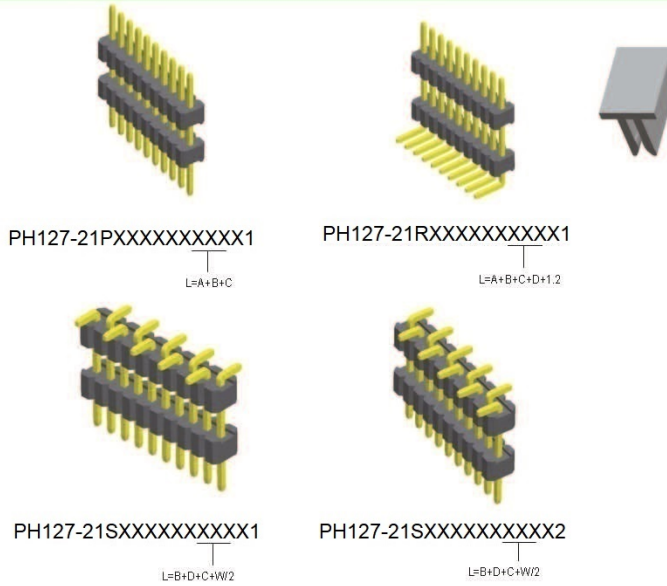
Insulating Resistance: 1000 MΩ Min

耐電壓: AC 500V/分钟

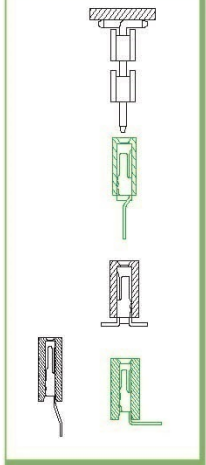
Withstanding Voltage: AC 500V/Minute

溫度範圍: -40° C to +105° C

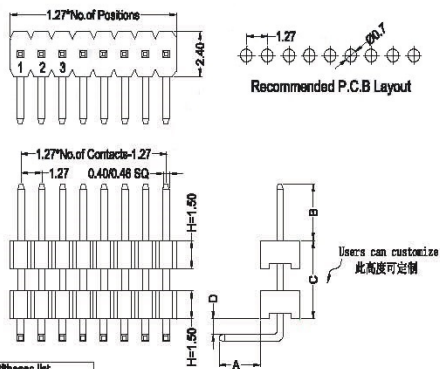
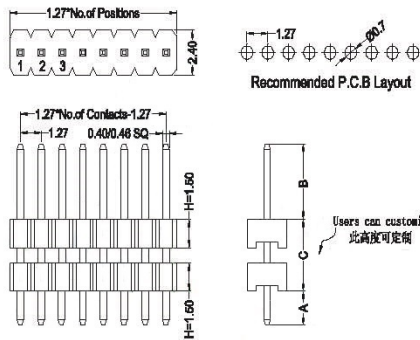
Temperature Range: -40° C to +105° C



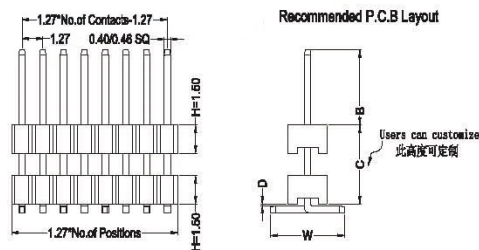
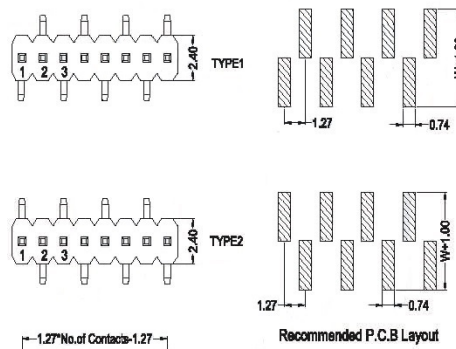
Mating With/配對母座:



Dimension anitheses list			
ITEM	A	B	C
Standard	1.80	1.83,0.4,0.8,0	
Alternate			



Dimension anitheses list				
ITEM	A	B	C	D
Standard	2.50	1.83,0.4,0.8,0		0.80
Alternate				



Dimension anitheses list				
ITEM	B	D	C	W
Standard	1.83,0.4,0.8,0	0.1		4.50
Alternate				

PIN HEADER

PH127-21

X

XX

XX

XXX

X

X

X

Contact Shape:
P: Straight
R: Right Angle
S: SMT

No. Of Pins Per Row:
02~50P

Contact Plating:
Full Of Gold
G0=0.8u"
~
G9=30u"
S1=Ordinary Tin Plated
S2=Matte Tin Plated
S3=Tin-plated High-temperature

Length Of Terminal

Packing:
A: PE Bag
R: Tape & Reel
T: Tube
D: Tube+CAP
E: Tray

Journal Number:
1: Type1 (without Post)
2: Type2 (with Post)

Pin Number:
A: 0.40 SQ
B: 0.46 SQ